

# SEATED BAND / ORCHESTRA RISER SET

NO. 835

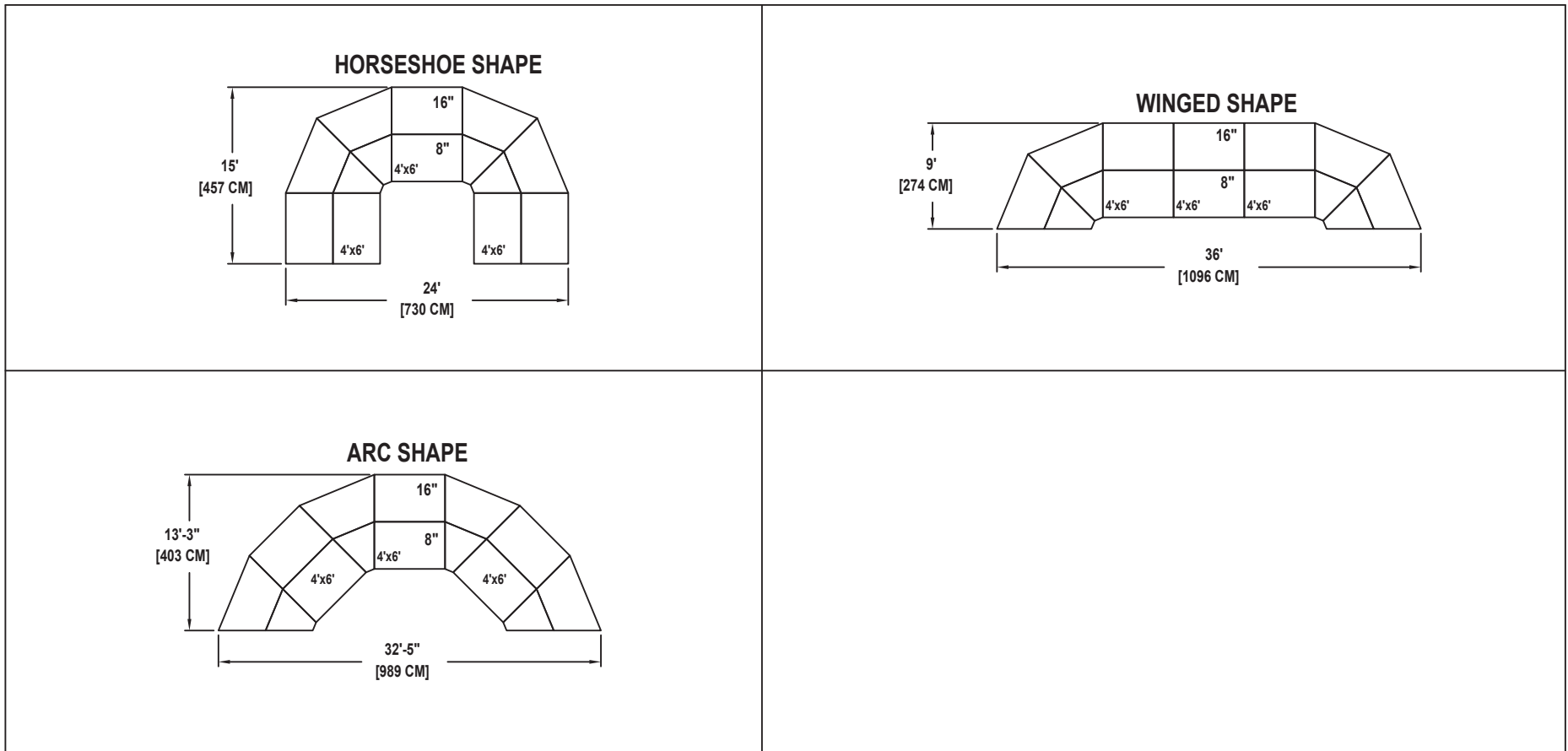
SEATING CAPACITY NOT USING THE FLOOR, 24.

SEATING CAPACITY WITH ONE ROW ON THE FLOOR, 26.

SEATING CAPACITY IS BASED ON 32" CHAIR SPACING.



C O R P O R A T I O N



Drawing 100A309\_C  
Sheet 19 of 40



## MUSIC EDUCATION AND PERFORMING ARTS

Owatonna Office: Phone 800.4WENGER (493-6437) Worldwide +1.507.455.4100 | Parts & Service 800.887.7145 | wengercorp.com | 555 Park Drive, PO Box 448 | Owatonna | MN 55060-0448

Syracuse Office: Phone 800.836.1885 Worldwide +1.315.451.3440 | jrclancy.com | 7041 Interstate Island Road | Syracuse | NY 13209-9713

**ATHLETICS** Phone 800.493.6437 | gearboss.com | 555 Park Drive, PO Box 448 | Owatonna | MN 55060-0448